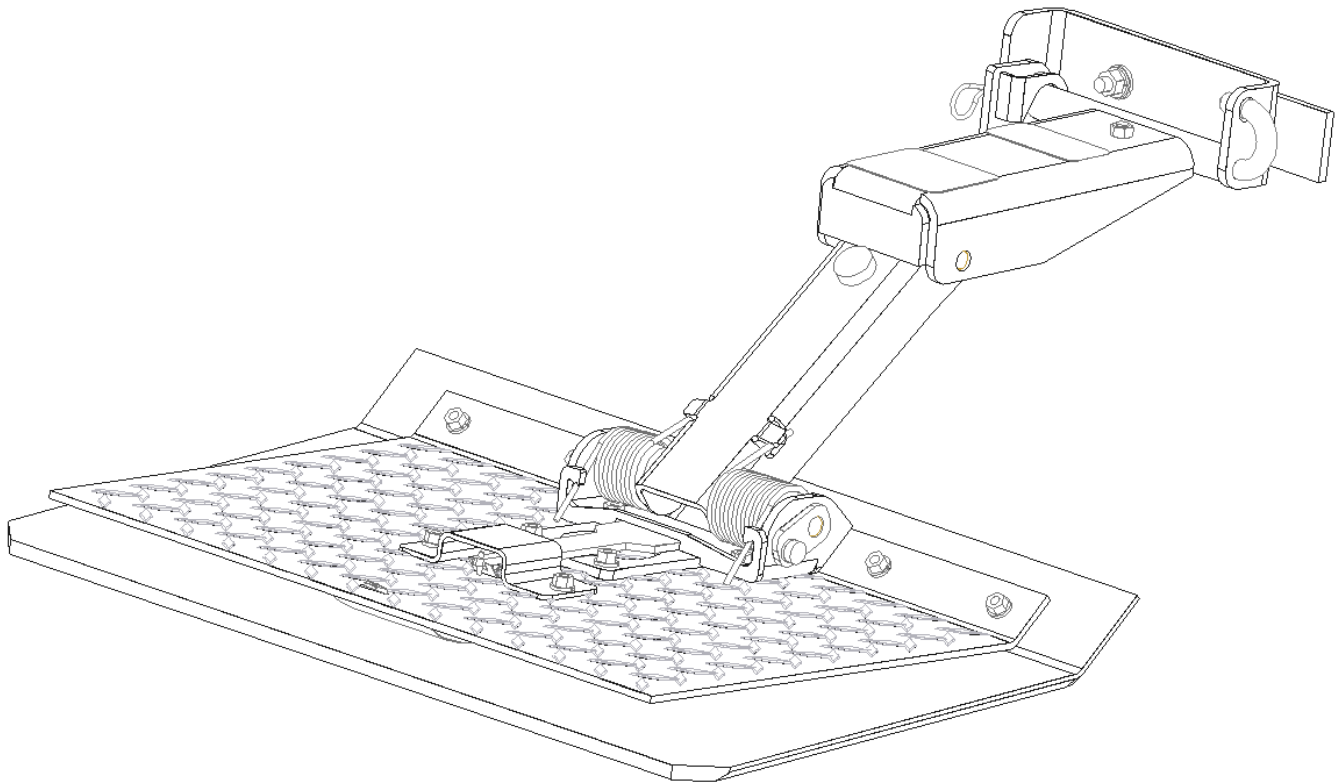


Proslide XT®

Retracting Slider

Installation and User Manual

Thank you for purchasing the Proslide XT Retracting Slider.



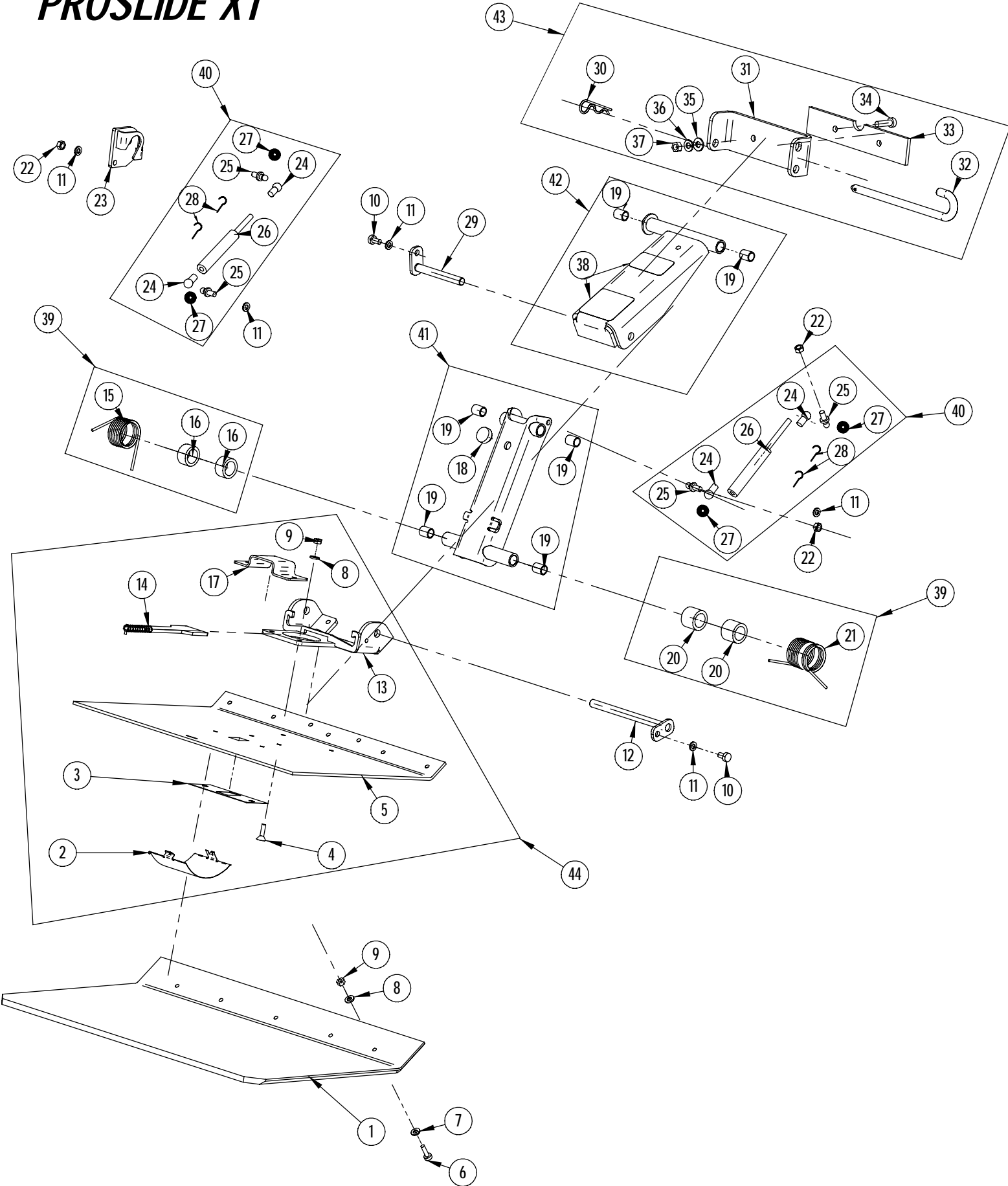
Patent No. 5,575,140

Please read before using.

This manual will help you get maximum performance from your slider.

Novae

PROSLIDE XT



Ref Number	Part Number	Description	Quantity
1	531 30 11-36	XTWear Plate	1
2	531 30 11-70	XT Actuator Spring	1
3	531 30 11-71	XT Slipper Plate	1
4	531 30 11-72	Screw, 1/4 - 20 x 3/4, Flat Head	8
5	531 30 11-73	XT Deck Plate	1
6	531 30 11-74	Screw 1/4 - 20 x 1 HexCap	5
7	531 30 11-75	Washer, Flat 1/4	5
8	531 30 11-76	Washer, Lock 1/4	13
9	531 30 11-77	Hex Nut 1/4 - 20	13
10	531 30 11-78	Screw, 5/16 - 18 x 5/8 Hex Cap	2
11	531 30 11-79	Washer, lock 5/16	5
12	531 30 11-80	XT Deck Joint Pin	1
13	531 30 11-81	XT Deck Bracket	1
14	531 30 11-82	XT Stop Bar Assembly	1
15	531 30 11-83	XT Torsion Spring, LH	1
16	531 30 11-84	XT Mandrel Sleeve, Left	2
17	531 30 11-52	XT Guard	1
18	531 03 08-29	Bumper Stop	1
19	531 03 08-26	Bronze Bearing, .5095 x 5/8 x 3/4	6
20	531 30 11-53	XT Mandrel Sleeve, Right	2
21	531 30 11-54	XT Torsion Spring, RH	1
22	531 30 11-55	Hex Nut 5/16 - 18	3
23	531 30 11-56	XT Lift Arm Assembly	1
24	531 03 08-33	Ball Socket	4
25	531 03 08-35	Ball Stud	4
26	531 03 08-32	Gas Spring	2
27	531 03 08-34	Ball Joint Seal	4
28	531 03 08-51	Gas Spring Safety Clip	4
29	531 30 11-57	XT Center Joint Pin	1
30	531 03 08-46	Hairpin Cotter	1
31	531 30 11-58	XT Mounting Bracket	1
32	531 30 11-59	XT Connecting Pin	1
33	531 03 08-43	Bracket Backing Plate	1
34	531 30 11-60	Screw 3/8 - 16 x 1 1/4 Hex Cap	2
35	531 30 11-61	Washer, Flat 3/8	2
36	531 30 11-62	Washer, Lock 3/8	2
37	531 30 11-63	Hex Nut 3/8 - 16	2
38	531 30 11-64	Decals, Proslide XT and Warning	1 each
39	531 30 11-65	XT Torsion Spring Replacement Kit	1
40	531 03 08-31	Gas Spring Assembly	2
41	531 30 11-66	XT Lower Arm Assembly	1
42	531 30 11-67	XT Upper Arm Assembly	1
43	531 30 11-68	XT Mounting Bracket Kit	1
44	531 30 11-69	XT Deck Assembly	1